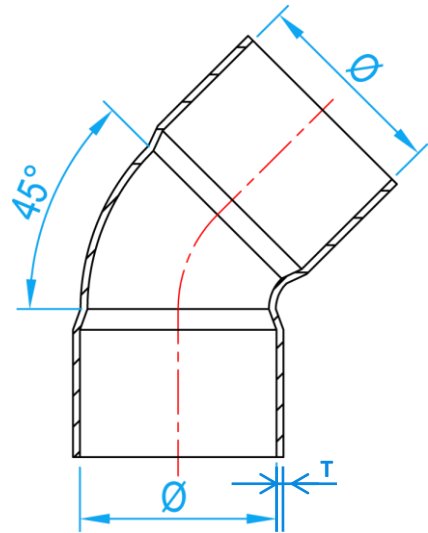


CAPILLARY FITTING

45° ELBOW

COMPLY WITH BS EN 1254-1



CROSS SECTIONAL VIEW

COMPONENTS PARTS

PARTS	MATERIAL
ELBOW	COPPER

DIMENSIONS

SKU	DN ø (mm)	T (mm)	WEIGHT (Kg)	PCS/CTN
MBLE45015	15	0.7	0.011	1250
MBLE45020	22	0.9	0.027	500
MBLE45025	28	0.9	0.039	250
MBLE45035	35	1.0	0.076	150
MBLE45042	42	1.1	0.121	85
MBLE45050	54	1.4	0.186	44
MBLE45065	67	1.7	0.307	25
MBLE45080	76	1.7	0.415	20
MBLE45100	108	2.1	1.108	8
MBLE45150	159	2.5	2.510	2

 Note: The weight tolerance standard is $\pm 5\%$